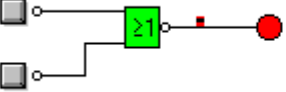


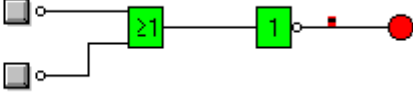
OR

$$F = a + b$$

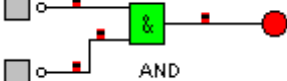
a	b	S
0	0	0
0	1	1
1	0	1
1	1	1



NOR

$$F = \overline{a + b}$$


a	b	S
0	0	1
0	1	0
1	0	0
1	1	0



AND

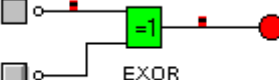


NAND




a	b	S
0	0	0
0	1	0
1	0	0
1	1	1

a	b	S
0	0	1
0	1	1
1	0	1
1	1	0



EXOR

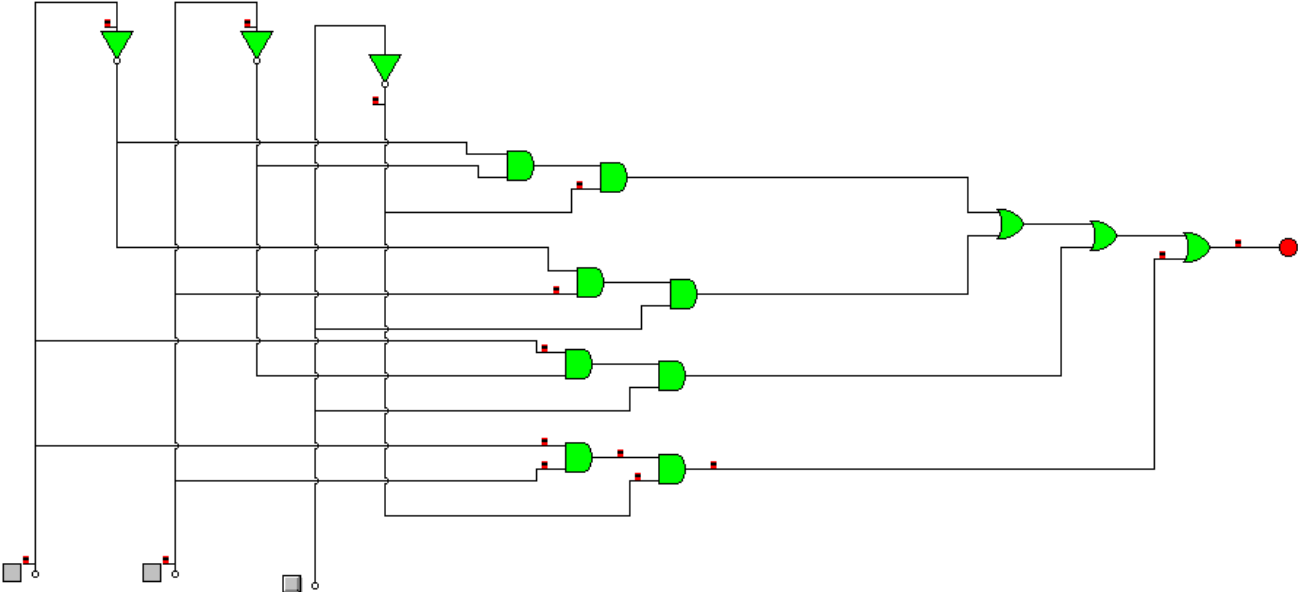


EXNOR

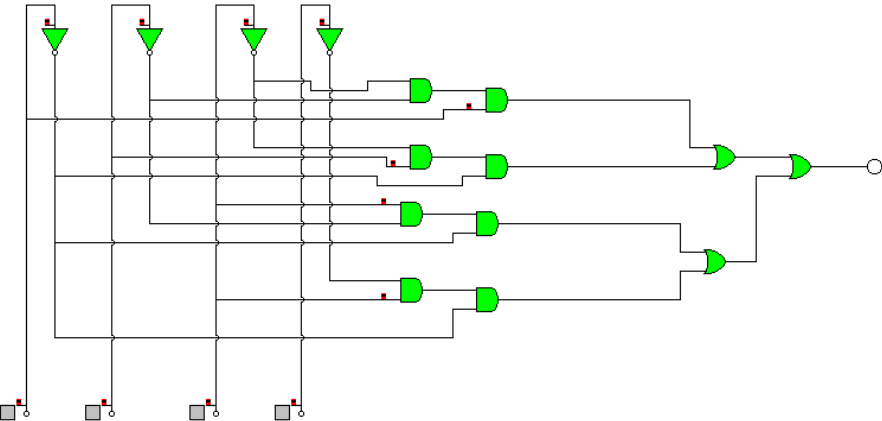
a	b	S
0	0	0
0	1	1
1	0	1
1	1	0

a	b	S
0	0	1
0	1	0
1	0	0
1	1	1

Problema 2



6- PAU 2011-set A



Problema 6-PAU 2011-set-A

